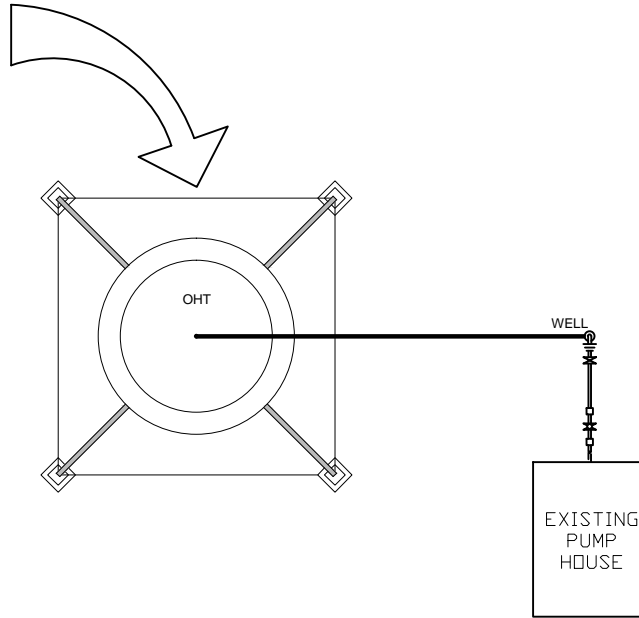


THIS SITE  
PALACIO REAL  
OVERHEAD TANK

### LOCATION MAP

<p>CALAMBA WATER DISTRICT ENGINEERING PLANNING AND DESIGN DIVISION</p>	<p>PROJECT TITLE: REPAINTING OF OVERHEAD TANK</p>	<p>Designed and AutoCAD by: ENGR. ROLANDO V. BARO</p>	<p>DATE: 7/26/2021</p>
	<p>PROJECT LOCATION: PALACIO REAL, BRGY. MAKILING, CAL. CITY</p>	<p>Recommending Approval: ENGR. JOSELITO A. GILLERA</p>	<p>SHEET NO 1</p>
		<p>Approved by: MR. EXEQUIEL A. AGUILAR JR.</p>	

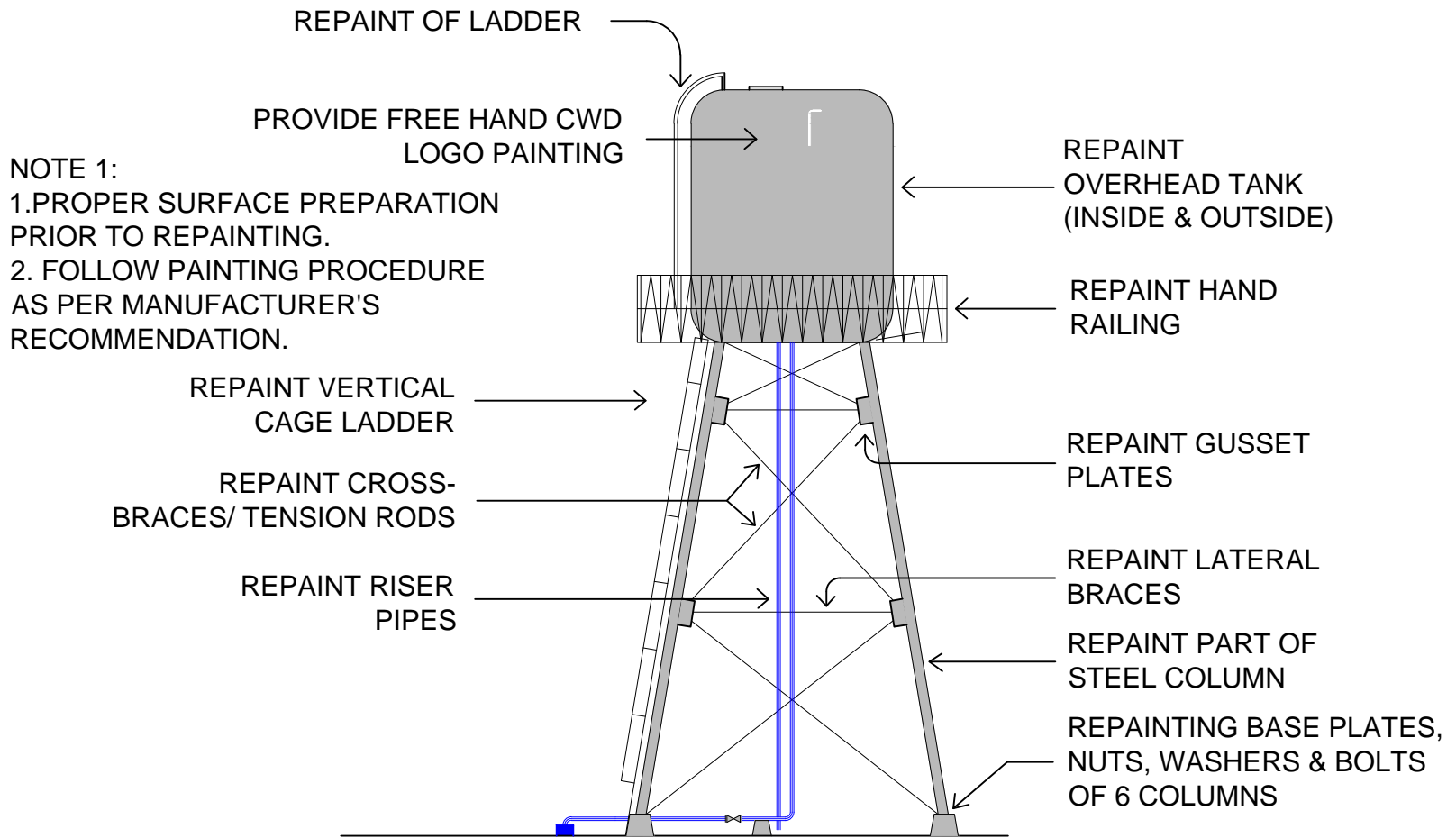
THIS TANK



SUBDIVISION ROAD

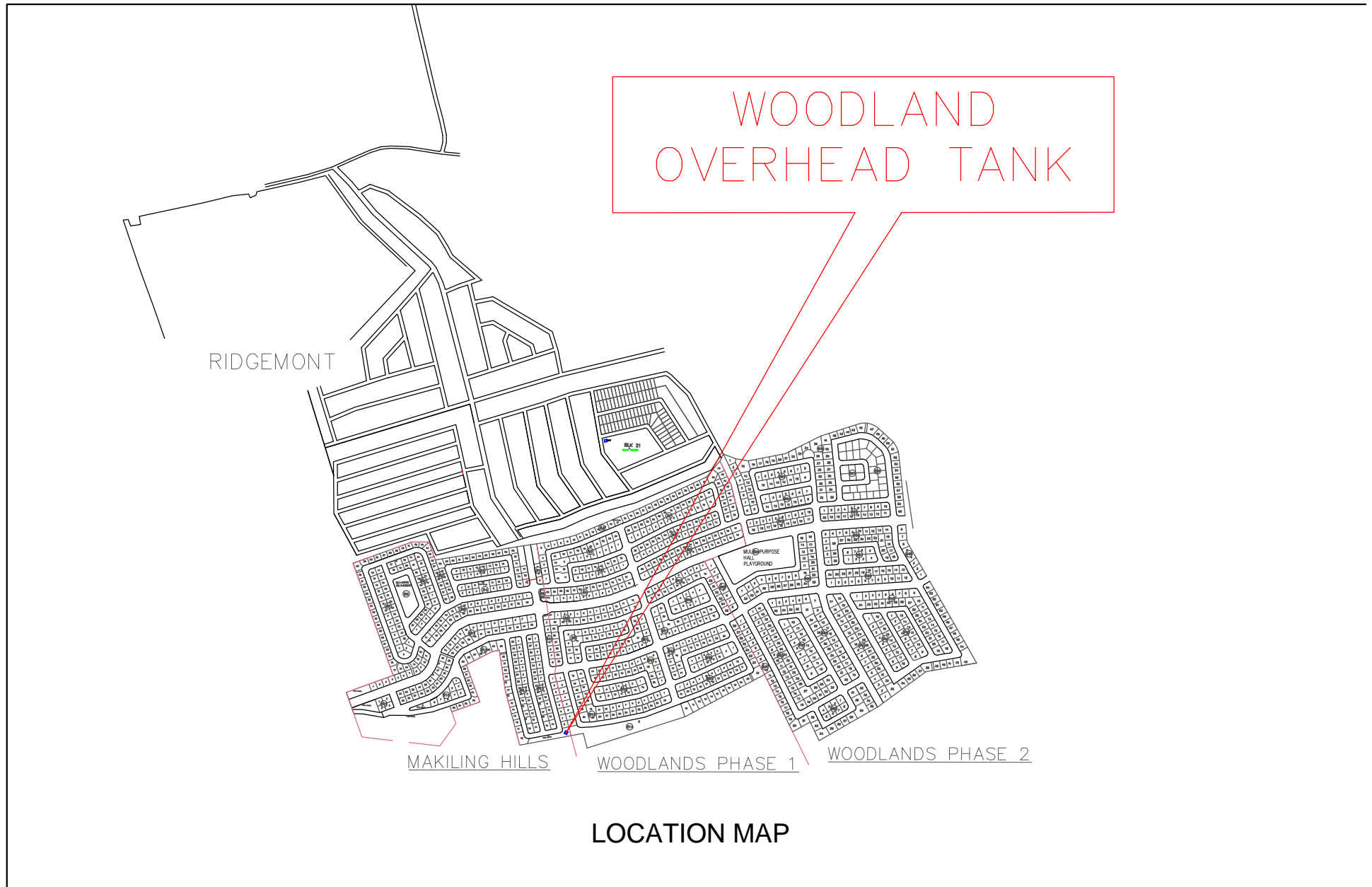
### TOP VIEW OF OVERHEAD TANK

CALAMBA WATER DISTRICT ENGINEERING PLANNING AND DESIGN DIVISION	PROJECT TITLE: REPAINTING OF OVERHEAD TANK	Designed and AutoCAD by: ENGR. ROLANDO V. BARO	DATE: 7/26/2021
	PROJECT LOCATION: PALACIO REAL, BRGY. MAKILING, CAL. CITY	Recommending Approval: ENGR. JOSELITO A. GILLERA	SHEET NO 2
		Approved by: MR. EXEQUIEL A. AGUILAR JR.	



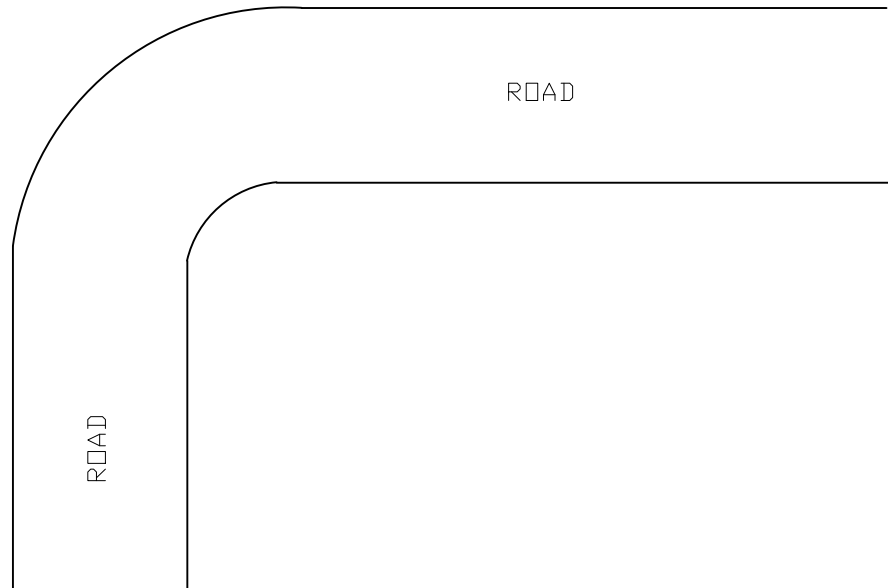
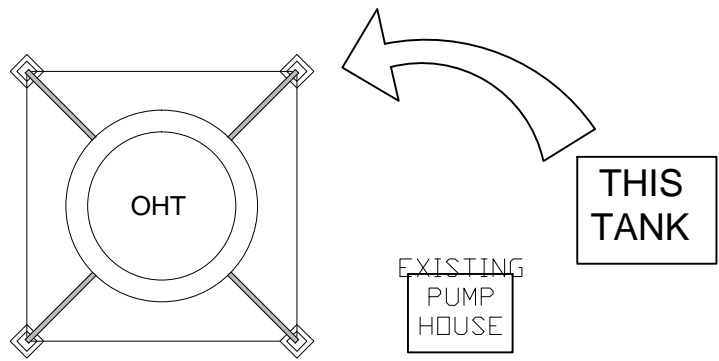
### DETAIL OF OVERHEAD TANK REPAINTING

<b>CALAMBA WATER DISTRICT ENGINEERING PLANNING AND DESIGN DIVISION</b>	PROJECT TITLE: REPAINTING OF OVERHEAD TANK	Designed and AutoCAD by: ENGR. ROLANDO V. BARO	DATE: 7/26/2021
	PROJECT LOCATION: PALACIO REAL, BRGY. MAKILING, CAL. CITY	Recommending Approval: ENGR. JOSELITO A. GILLERA	SHEET NO 3
		Approved by: MR. EXEQUIEL A. AGUILAR JR.	



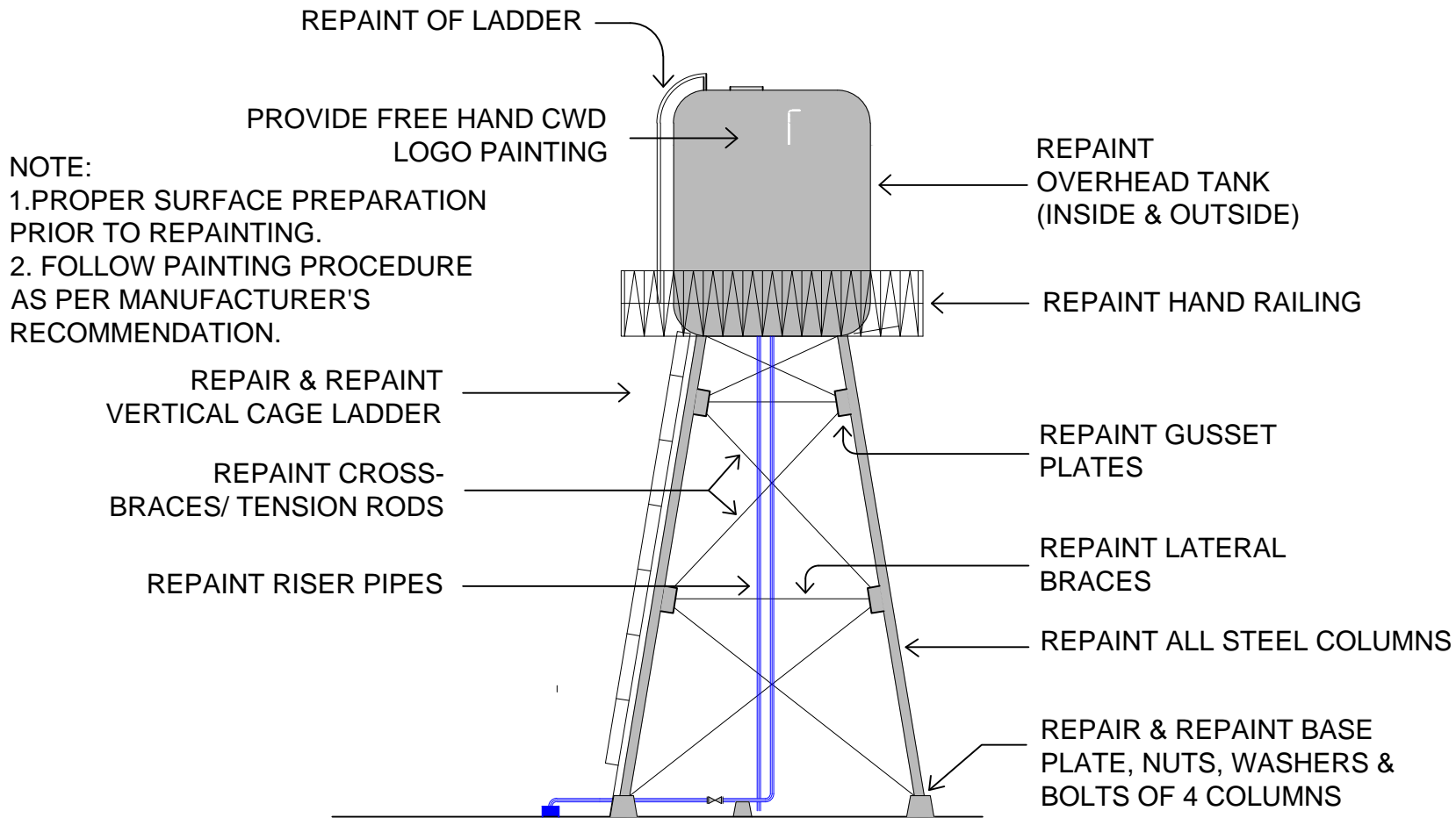
**LOCATION MAP**

<b>CALAMBA WATER DISTRICT ENGINEERING PLANNING AND DESIGN DIVISION</b>	<b>PROJECT TITLE: REPAIR AND REPAINTING OF OVERHEAD TANK</b>	Designed and AutoCAD by: ENGR. ROLANDO V. BARO	DATE: 7/26/2021
	<b>PROJECT LOCATION: WOODLANDS, BRGY. MAKILING, CALAMBA CITY</b>	Recommending Approval: ENGR. JOSELITO A. GILLERA	SHEET NO 1
		Approved by: MR. EXEQUIEL A. AGUILAR JR.	



**TOP VIEW OF OVERHEAD TANK**

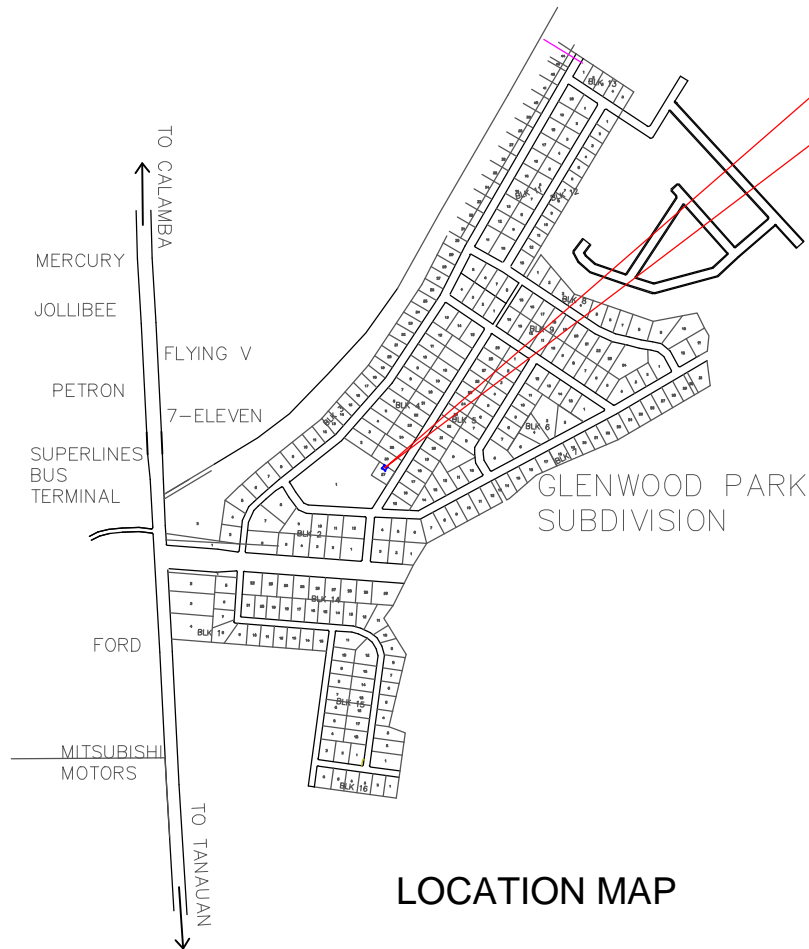
<b>CALAMBA WATER DISTRICT ENGINEERING PLANNING AND DESIGN DIVISION</b>	<b>PROJECT TITLE: REPAIR AND REPAINTING OF OVERHEAD TANK</b>	Designed and AutoCAD by: ENGR. ROLANDO V. BARO	DATE: 7/26/2021
	PROJECT LOCATION: WOODLANDS, BRGY. MAKILING, CALAMBA CITY	Recommending Approval: ENGR. JOSELITO A. GILLERA	SHEET NO 2
		Approved by: MR. EXEQUIEL A. AGUILAR JR.	



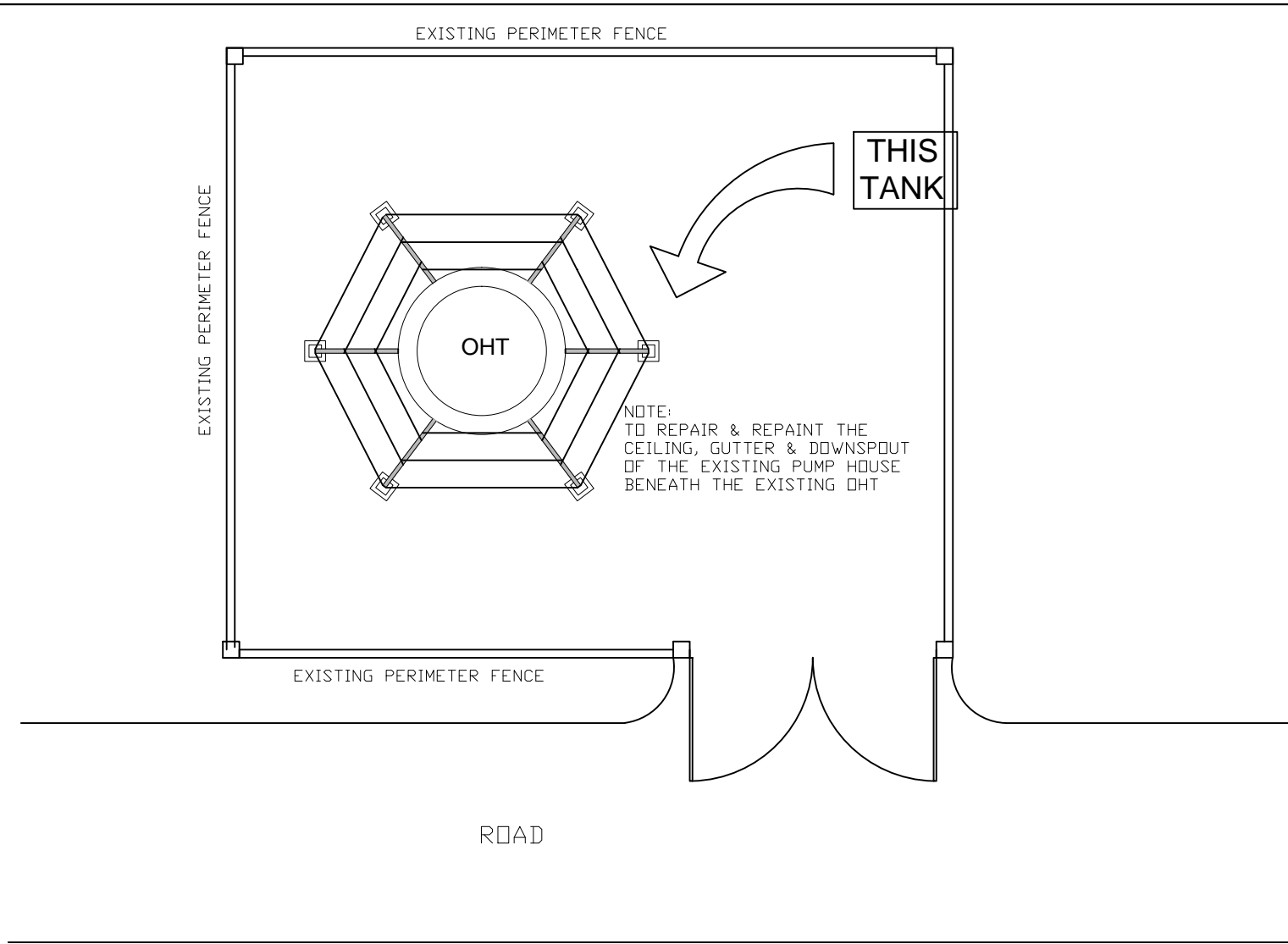
### DETAIL OF OVERHEAD TANK REPAINTING

CALAMBA WATER DISTRICT ENGINEERING PLANNING AND DESIGN DIVISION	PROJECT TITLE: REPAIR AND REPAINTING OF OVERHEAD TANK	Designed and AutoCAD by: ENGR. ROLANDO V. BARO	DATE: 7/26/2021
	PROJECT LOCATION: WOODLANDS, BRGY. MAKILING, CALAMBA CITY	Recommending Approval: ENGR. JOSELITO A. GILLERA	SHEET NO 3
		Approved by: MR. EXEQUIEL A. AGUILAR JR.	

# GLENWOOD OVERHEAD TANK



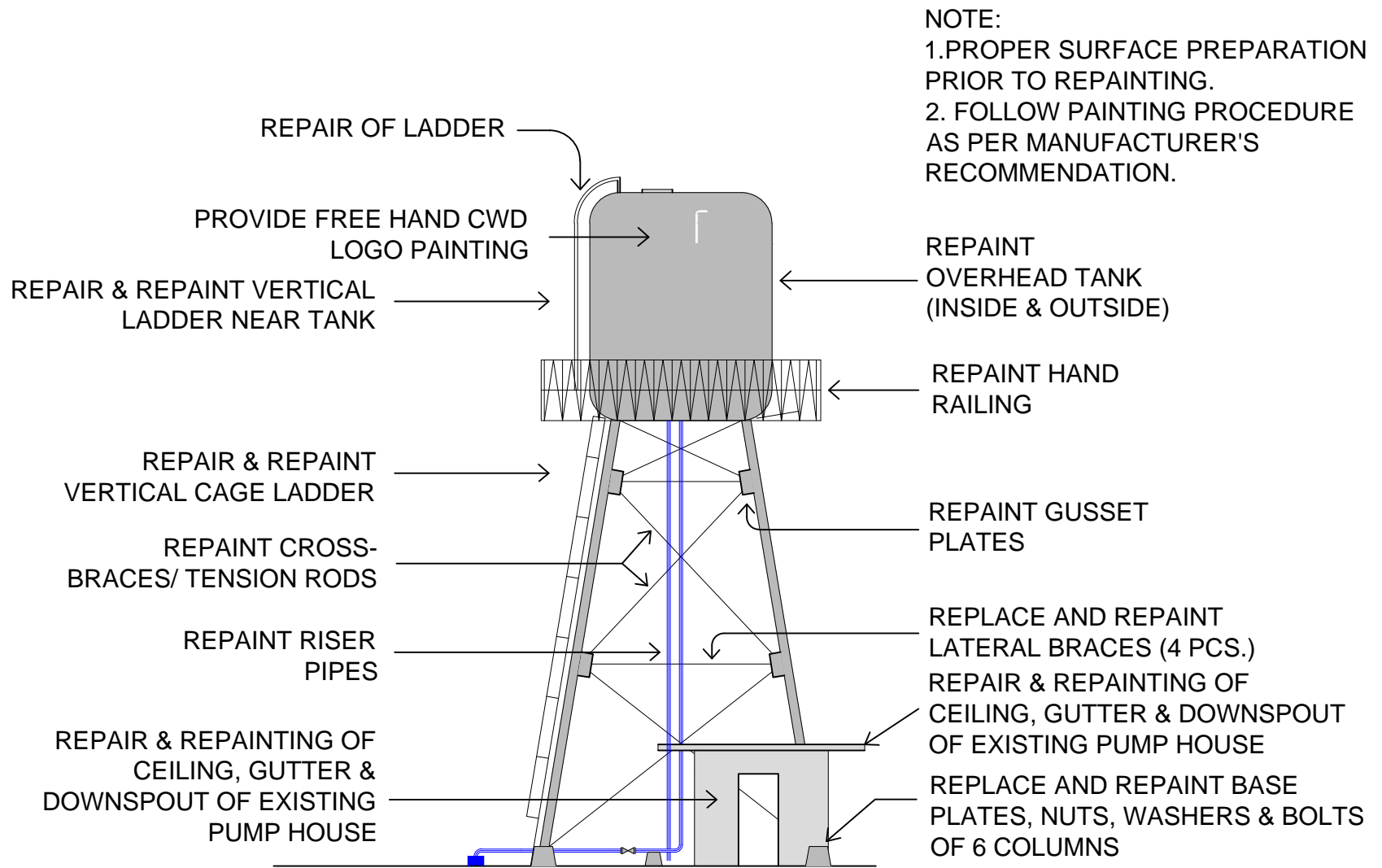
<b>CALAMBA WATER DISTRICT ENGINEERING PLANNING AND DESIGN DIVISION</b>	<b>PROJECT TITLE: REPAIR AND REPAINTING OF OVERHEAD TANK &amp; PUMP HOUSE</b>	Designed and AutoCAD by: ENGR. ROLANDO V. BARO	DATE: 8/2/2021
	<b>PROJECT LOCATION: GLENWOODS, BRGY. TURBINA, CALAMBA CITY</b>	Recommending Approval: ENGR. JOSELITO A. GILLERA	SHEET NO 1
		Approved by: MR. EXEQUIEL A. AGUILAR JR.	



**TOP VIEW OF OVERHEAD TANK**

<b>CALAMBA WATER DISTRICT ENGINEERING PLANNING AND DESIGN DIVISION</b>	<b>PROJECT TITLE: REPAIR AND REPAINTING OF OVERHEAD TANK &amp; PUMP HOUSE</b>	Designed and AutoCAD by: ENGR. ROLANDO V. BARO	DATE: 8/2/2021
	<b>PROJECT LOCATION: GLENWOODS, BRGY. TURBINA, CALAMBA CITY</b>	Recommending Approval: ENGR. JOSELITO A. GILLERA	SHEET NO 2
		Approved by: MR. EXEQUIEL A. AGUILAR JR.	





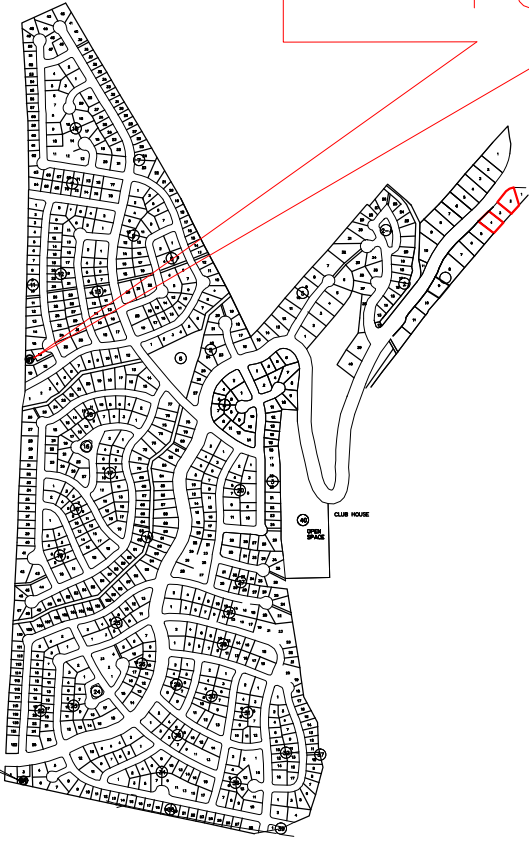
NOTE:  
 1. PROPER SURFACE PREPARATION PRIOR TO REPAINTING.  
 2. FOLLOW PAINTING PROCEDURE AS PER MANUFACTURER'S RECOMMENDATION.

**DETAIL OF OVERHEAD TANK & PUMP HOUSE REPAIR & REPAINTING**

CALAMBA WATER DISTRICT ENGINEERING PLANNING AND DESIGN DIVISION	PROJECT TITLE: REPAIR AND REPAINTING OF OVERHEAD TANK & PUMP HOUSE	Designed and AutoCAD by: ENGR. ROLANDO V. BARO	DATE: 8/2/2021
	PROJECT LOCATION: GLENWOODS, BRGY. TURBINA, CALAMBA CITY	Recommending Approval: ENGR. JOSELITO A. GILLERA	SHEET NO 3
		Approved by: MR. EXEQUIEL A. AGUILAR JR.	

THIS SITE  
LAGUNA HILLS  
PUMP 1

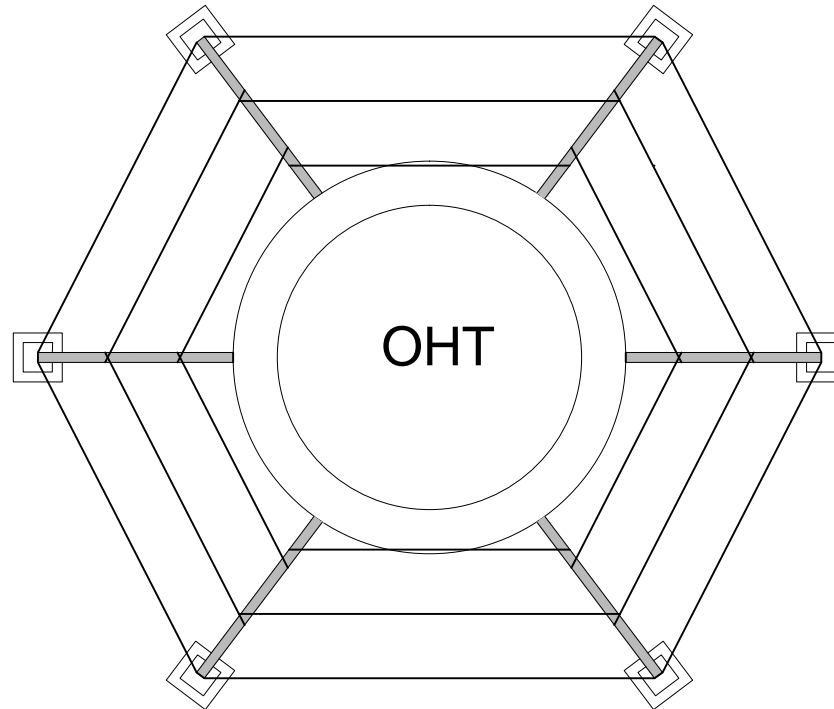
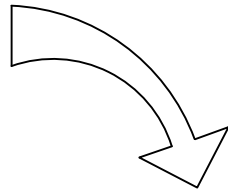
LAGUNA HILLS  
PUMP 2



LOCATION MAP

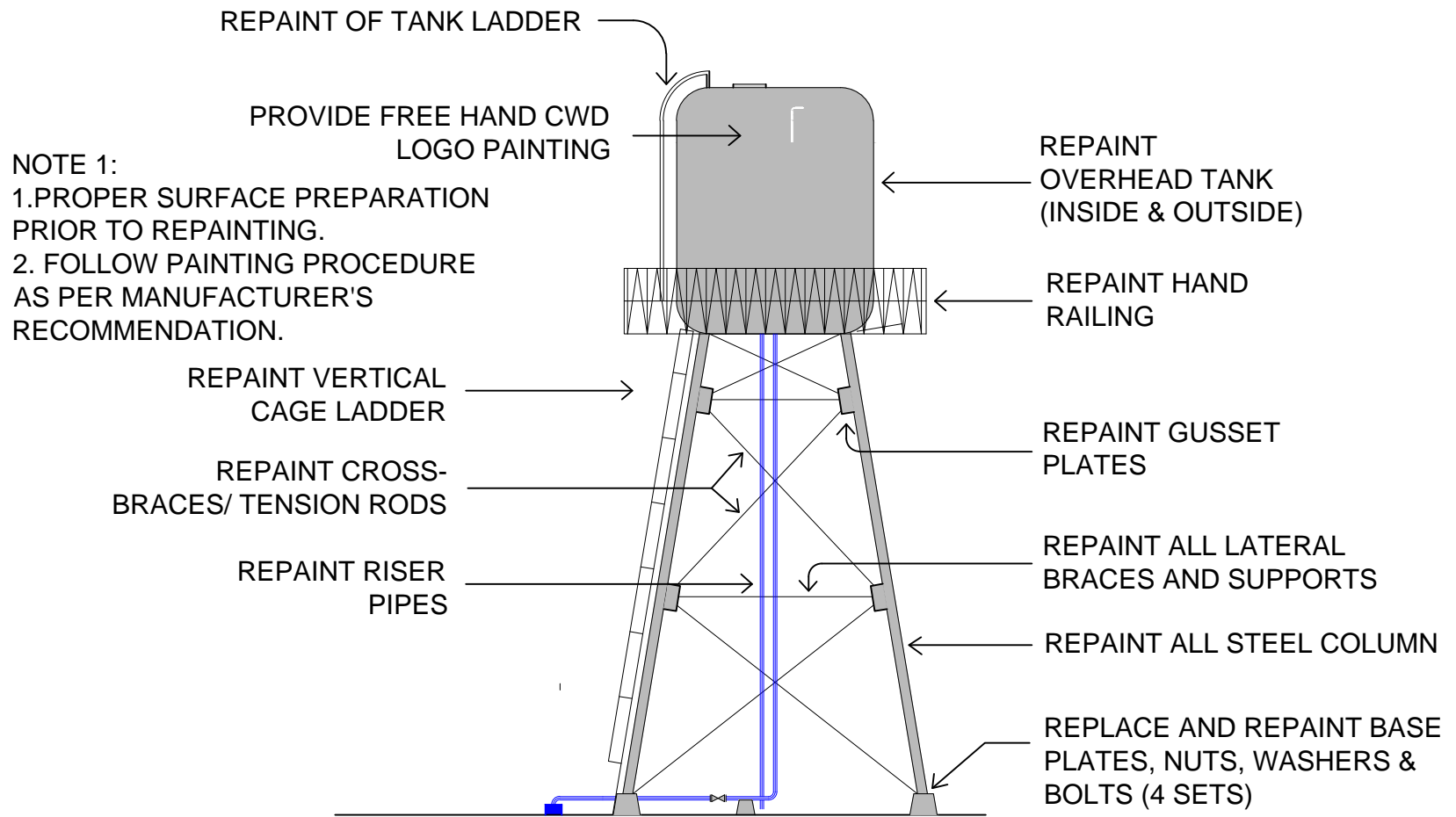
<b>CALAMBA WATER DISTRICT ENGINEERING PLANNING AND DESIGN DIVISION</b>	<b>PROJECT TITLE: REPAIR AND REPAINTING OF OVERHEAD TANK</b>	Designed and AutoCAD by: ENGR. ROLANDO V. BARO	DATE: 7/26/2021
	<b>PROJECT LOCATION: LAGUNA HILLS P1, BRGY. PANSOL, CAL. CITY</b>	Recommending Approval: ENGR. JOSELITO A. GILLERA	SHEET NO 2
		Approved by: MR. EXEQUIEL A. AGUILAR JR.	

THIS TANK



TOP VIEW OF OVERHEAD TANK

CALAMBA WATER DISTRICT ENGINEERING PLANNING AND DESIGN DIVISION	PROJECT TITLE: REPAIR AND REPAINTING OF OVERHEAD TANK	Designed and AutoCAD by: ENGR. ROLANDO V. BARO	DATE: 7/26/2021
	PROJECT LOCATION: LAGUNA HILLS P1, BRGY. PANSOL, CAL. CITY	Recommending Approval: ENGR. JOSELITO A. GILLERA	SHEET NO 2
		Approved by: MR. EXEQUIEL A. AGUILAR JR.	



### DETAIL OF OVERHEAD TANK REPAINTING

<b>CALAMBA WATER DISTRICT ENGINEERING PLANNING AND DESIGN DIVISION</b>	PROJECT TITLE: REPAIR AND REPAINTING OF OVERHEAD TANK	Designed and AutoCAD by: ENGR. ROLANDO V. BARO	DATE: 7/26/202
	PROJECT LOCATION: LAGUNA HILLS P1, BRGY. PANSOL, CAL. CITY	Recommending Approval: ENGR. JOSELITO A. GILLERA	SHEET NO 3
		Approved by: MR. EXEQUIEL A. AGUILAR JR.	

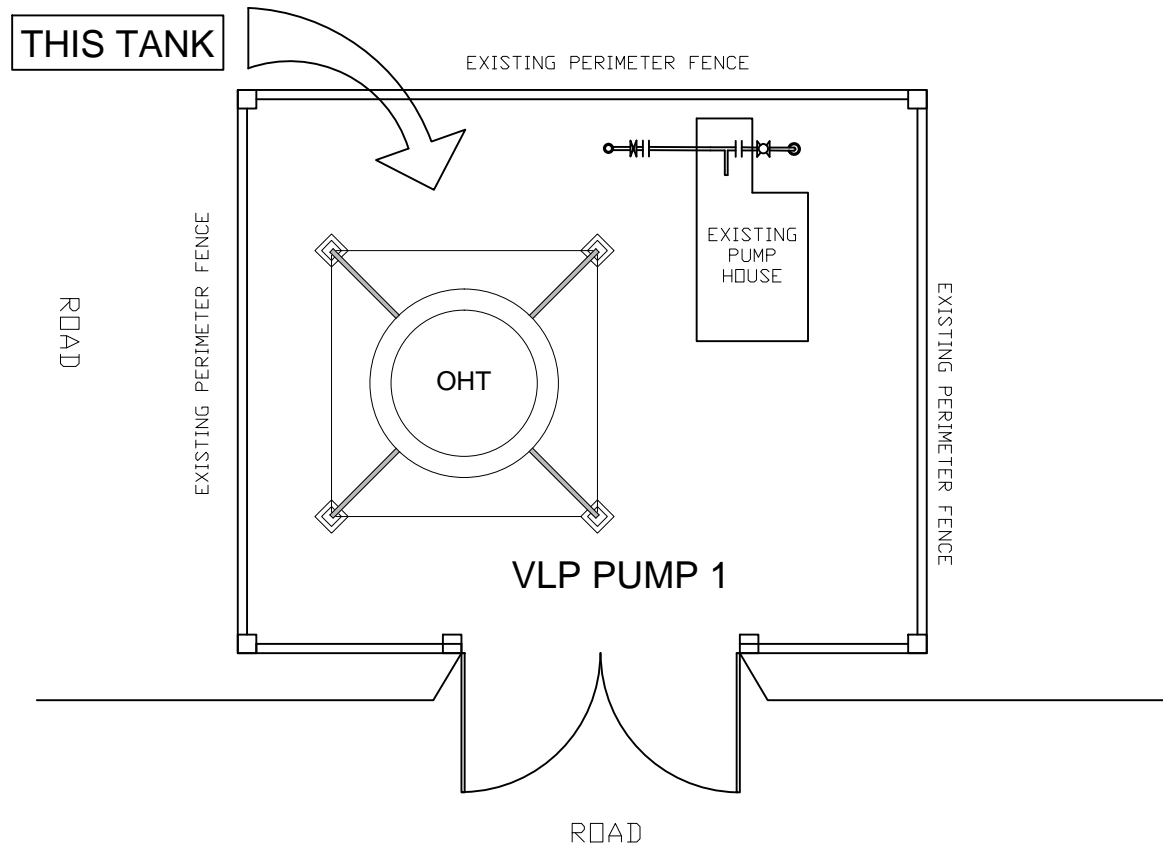
VILLA LA PRINZA  
PUMP 1 W/ OHT

VILLA LA PRINZA  
PUMP 2 W/ OHT



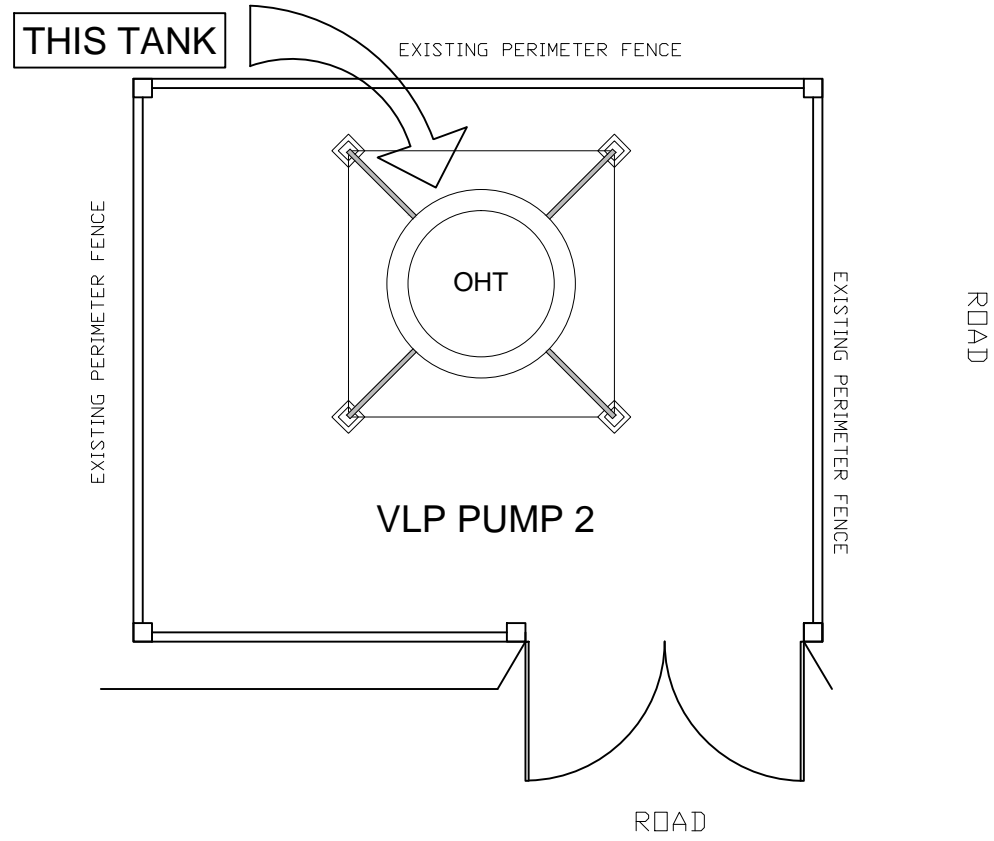
LOCATION MAP

<b>CALAMBA WATER DISTRICT ENGINEERING PLANNING AND DESIGN DIVISION</b>	<b>PROJECT TITLE: REPAIR AND REPAINTING OF OVERHEAD TANK CONCRETE SLABS</b>	Designed and AutoCAD by: ENGR. ROLANDO V. BARO	DATE: 7/26/2021
	<b>PROJECT LOCATION: P1 &amp; P2, VILLA LA PRINZA, BRGY. PRINZA, CAL. CITY</b>	Recommending Approval: ENGR. JOSELITO A. GILLERA	SHEET NO 2
		Approved by: MR. EXEQUIEL A. AGUILAR JR.	



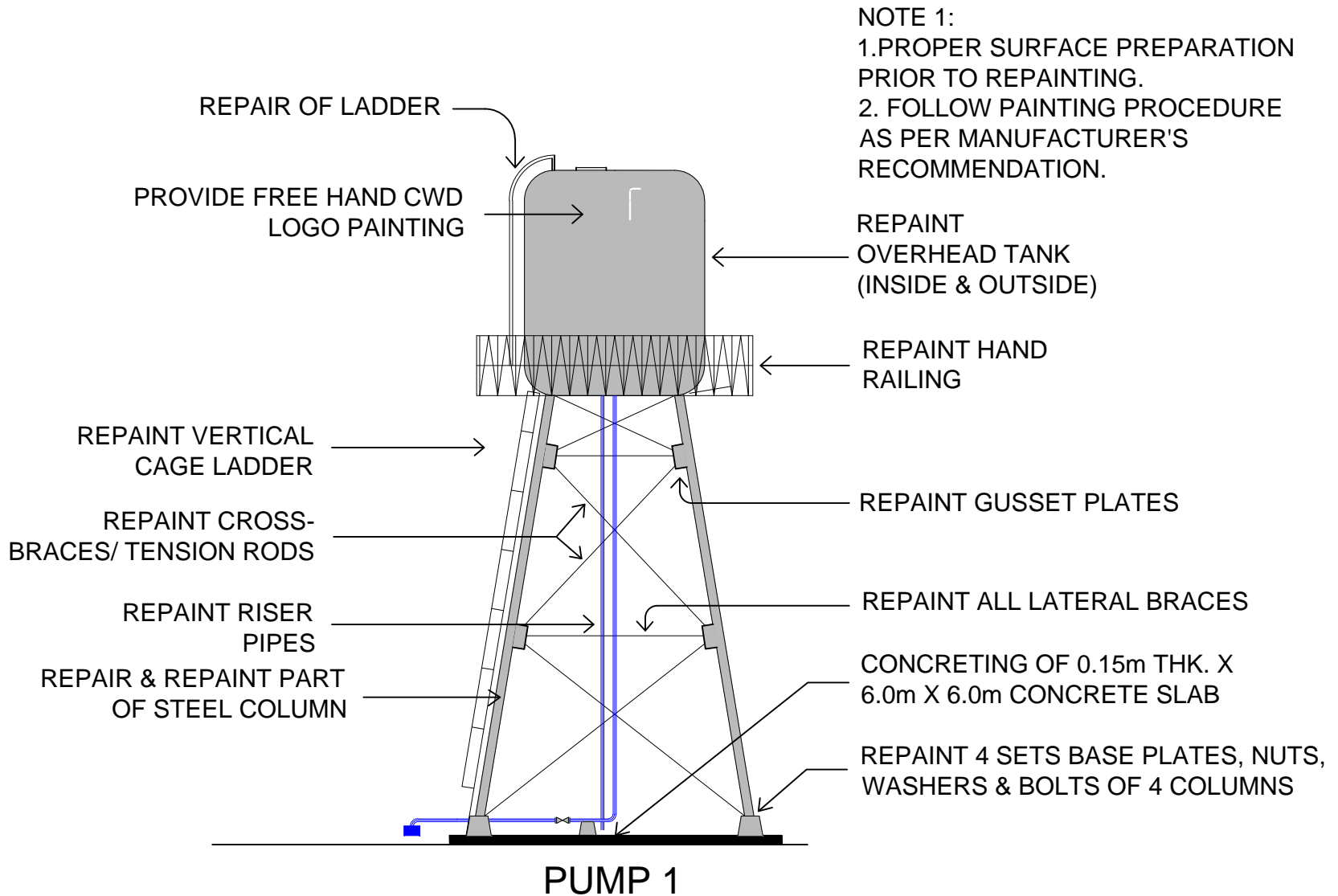
TOP VIEW OF OVERHEAD TANK

<b>CALAMBA WATER DISTRICT ENGINEERING PLANNING AND DESIGN DIVISION</b>	<b>PROJECT TITLE: REPAIR AND REPAINTING OF OVERHEAD TANK AND CONCRETE SLABS</b>	Designed and AutoCAD by: ENGR. ROLANDO V. BARO	DATE: 7/26/2021
	<b>PROJECT LOCATION: P1 &amp; P2, VILLA LA PRINZA, BRGY. PRINZA, CAL. CITY</b>	Recommending Approval: ENGR. JOSELITO A. GILLERA	SHEET NO 2
		Approved by: MR. EXEQUIEL A. AGUILAR JR.	



TOP VIEW OF OVERHEAD TANK

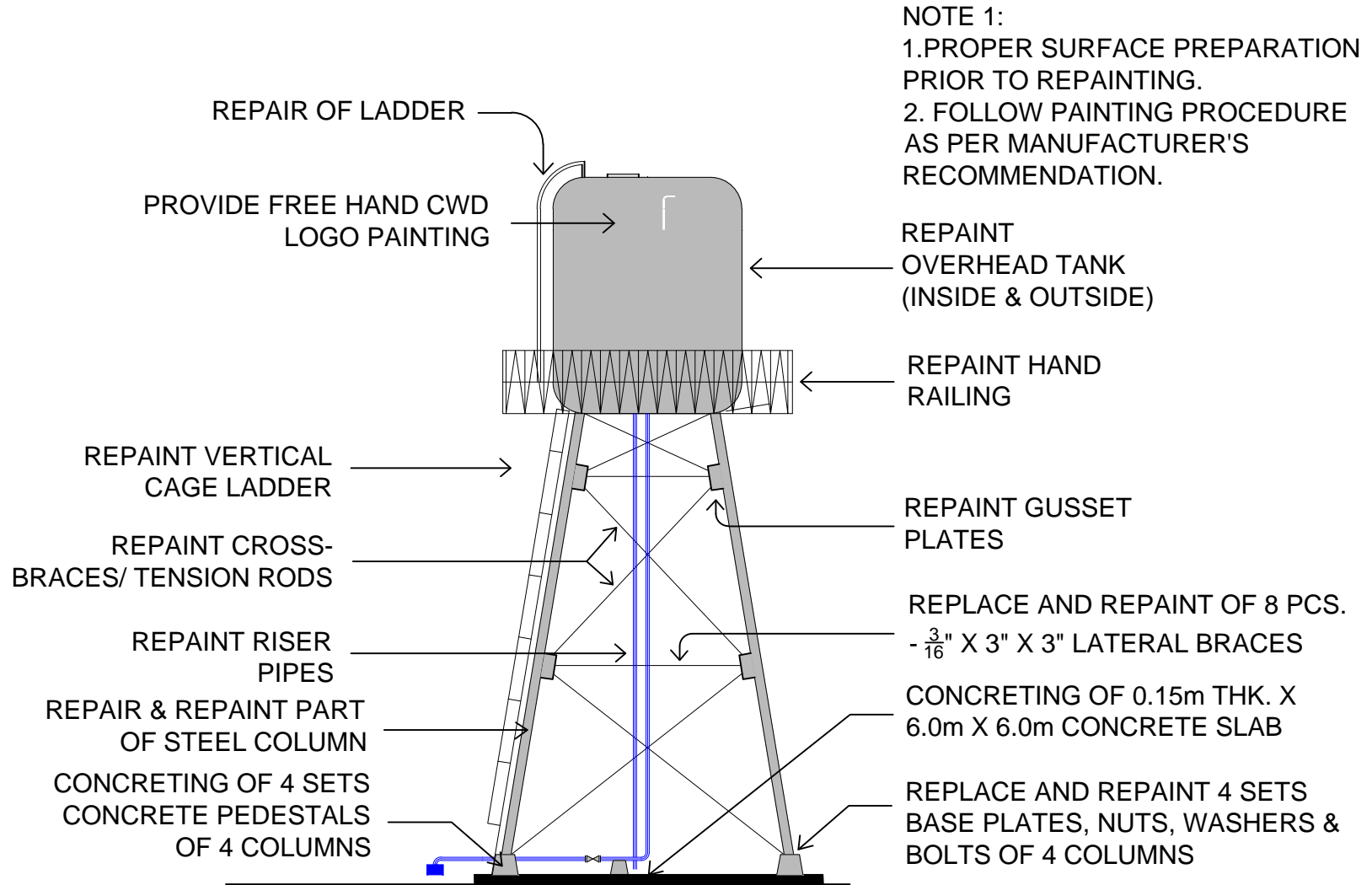
<b>CALAMBA WATER DISTRICT ENGINEERING PLANNING AND DESIGN DIVISION</b>	<b>PROJECT TITLE: REPAIR AND REPAINTING OF OVERHEAD TANK AND CONCRETE SLABS</b>	Designed and AutoCAD by: ENGR. ROLANDO V. BARO	DATE: 7/26/2021
	<b>PROJECT LOCATION: P1 &amp; P2, VILLA LA PRINZA, BRGY. PRINZA, CAL. CITY</b>	Recommending Approval: ENGR. JOSELITO A. GILLERA	SHEET NO 3
		Approved by: MR. EXEQUIEL A. AGUILAR JR.	



**DETAIL OF OVERHEAD TANK REPAINTING**

<b>CALAMBA WATER DISTRICT ENGINEERING PLANNING AND DESIGN DIVISION</b>	PROJECT TITLE: REPAIR AND REPAINTING OF OVERHEAD TANK AND CONCRETE SLABS	Designed and AutoCAD by: ENGR. ROLANDO V. BARO	DATE: 7/26/2021
	PROJECT LOCATION: P1 & P2, VILLA LA PRINZA, BRGY. PRINZA, CAL. CITY	Recommending Approval: ENGR. JOSELITO A. GILLERA	SHEET NO. 4
		Approved by: MR. EXEQUIEL A. AGUILAR JR.	





**NOTE 1:**  
 1. PROPER SURFACE PREPARATION PRIOR TO REPAINTING.  
 2. FOLLOW PAINTING PROCEDURE AS PER MANUFACTURER'S RECOMMENDATION.

**PUMP 2**  
**DETAIL OF OVERHEAD TANK REPAINTING**

<b>CALAMBA WATER DISTRICT          ENGINEERING          PLANNING AND DESIGN DIVISION</b>	<b>PROJECT TITLE: REPAIR AND REPAINTING OF          OVERHEAD TANK AND CONCRETE SLABS</b>	Designed and AutoCAD by: ENGR. ROLANDO V. BARO	DATE: 7/26/2021
	<b>PROJECT LOCATION:</b> P1 & P2, VILLA LA PRINZA, BRGY. PRINZA, CAL. CITY	Recommending Approval: ENGR. JOSELITO A. GILLERA	SHEET NO. 5
		Approved by: MR. EXEQUIEL A. AGUILAR JR.	